



RENTAL UNIT
150 Ton Air Cooled Chiller

SPECIFICATIONS:

Model..... 150 Ton Air Cooled Chiller
 Dimensions
 Length.....20'9"
 Width.....7'7"
 Height.....8'8"
 Rigging Weight.....15,311 lbs.
 Operating Weight.....15,767 lbs.

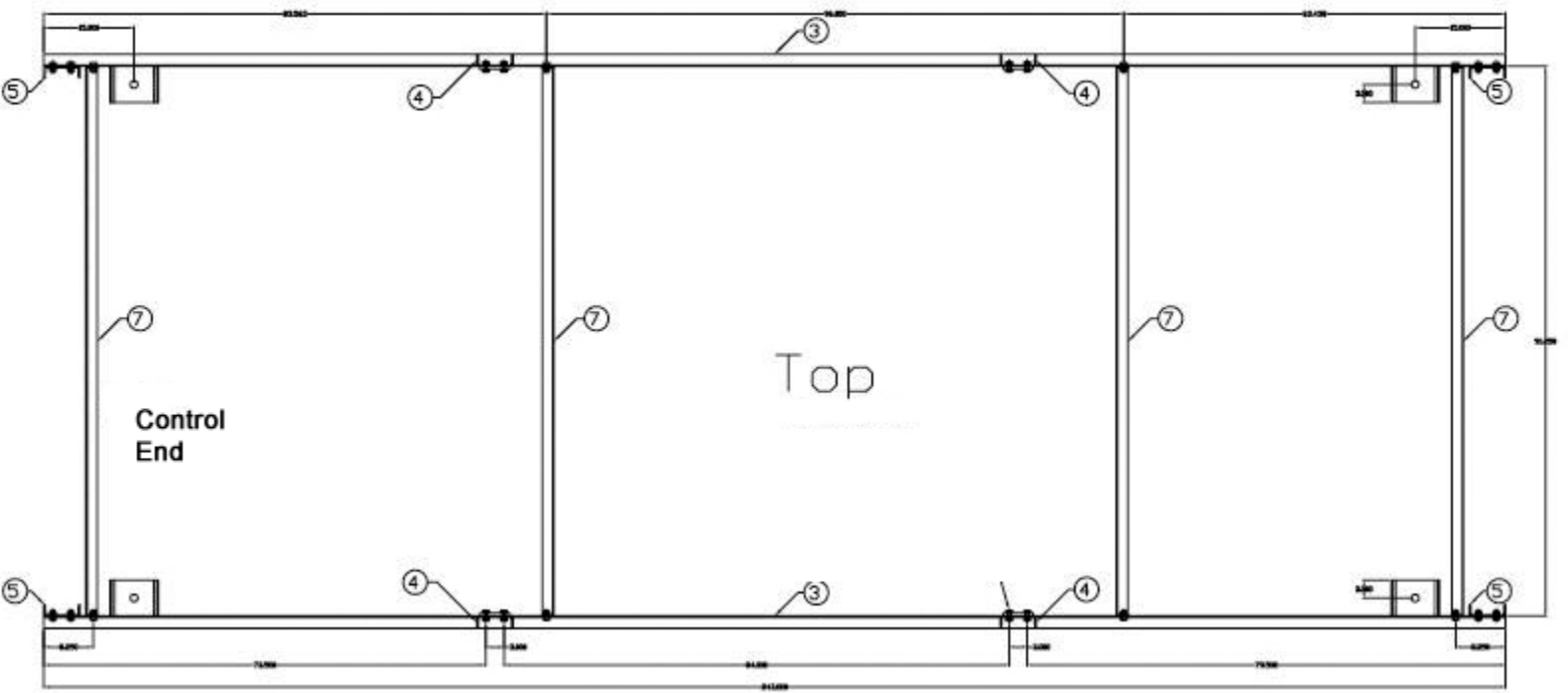
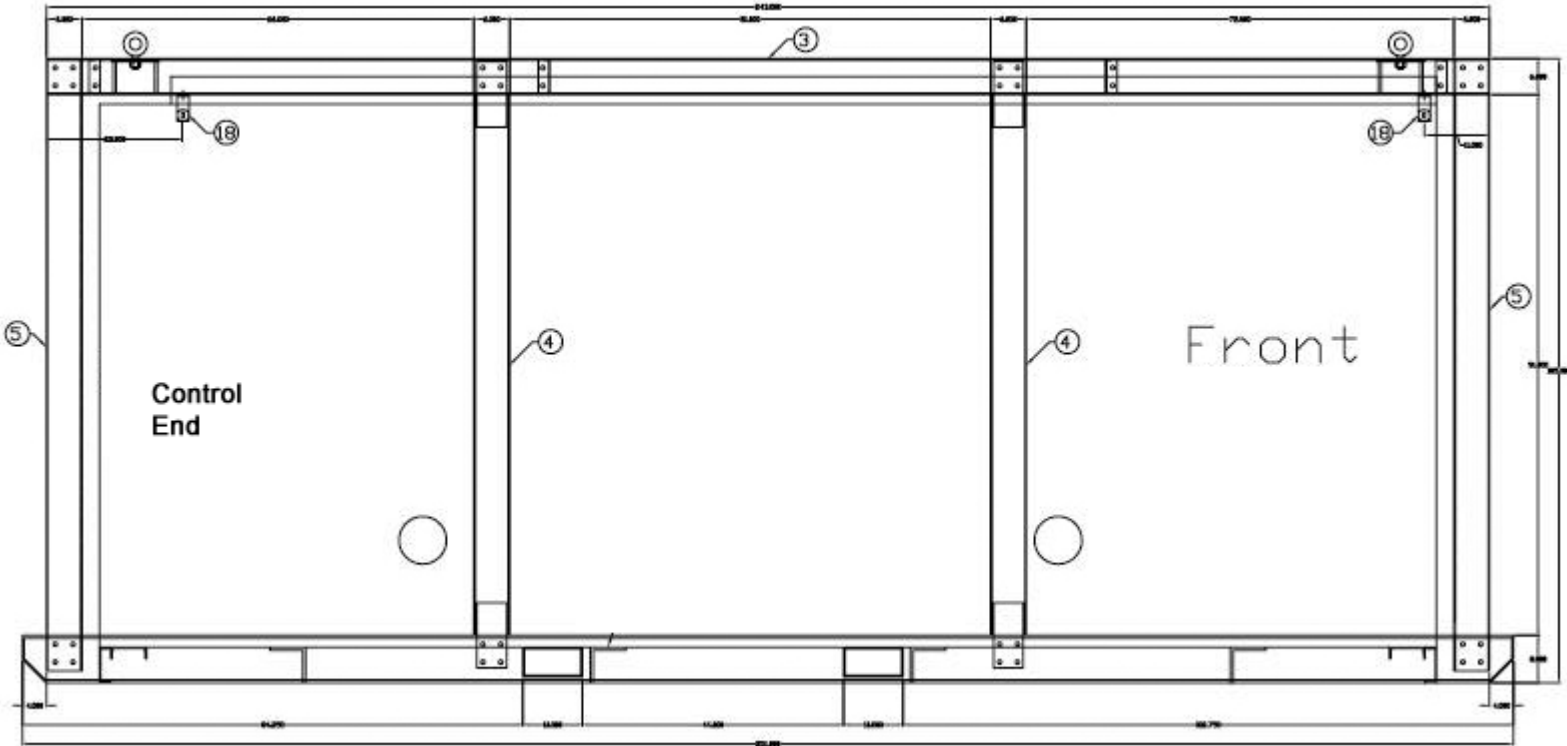
APPLICATIONS:

- Alkylation (Alky) Cooling
- Wet Gas Compressor Cooling
- Concrete Cooling
- Dense Air Injection
- Environmental Control
- Plastic Production Processes
- Turbine Inlet Cooling
- Waste Water Treatment

TECHNICAL DATA

Evaporator Data EWT (°F) 54.0 LWT (°F) 44.0 Design Flow Rate (gpm) 376.6 Pressure Drop (ft.) 14.4 Fluid Water Water Volume (gal.) 79.9	
Condenser Data Ambient Temp. (°F) 95.0	
Electrical Data Volts/Ph/Hz 460/3/60 Min. Circuit Ampacity 320.0 FLA (Chiller) 27 FLA (Pump) Min. Dual Element Fuse Size (Amps) 400	
Min/Max Flow GPM	Min Flow 150 Max Flow 600
Compressor Type:	2 Screw
General Capacity 157.1 Tons Refrigerant R22 Chilled Water/Brine Temperature Range 0°F–65°F	

AIR COOLED CHILLER UNIT



Consult your Blanchard Power Systems rental representative for more details.
1-844-BLANCHARD (252-6242)

1-2018
All rights reserved.
Materials and specifications are subject to change without notice.